



**DYNATRON**

The Thermal Solution Architect

[WWW.DYNATRON.CO](http://WWW.DYNATRON.CO)

## Product Spec Sheet

# B14

## Table of Contents

1. Product Description .....	3
2. Thermal Performance Curve .....	4
3. DM Drawing .....	5
4. EP Drawing .....	6
5. RoHS Certificate.....	7

## Application :

- Recommend for Intel® Xeon® Platinum / Gold Family Processor ( Products formerly Skylake ), Socket FCLGA3647
- **For Square ILM Only**
- Active Cooler for 3U Server and up

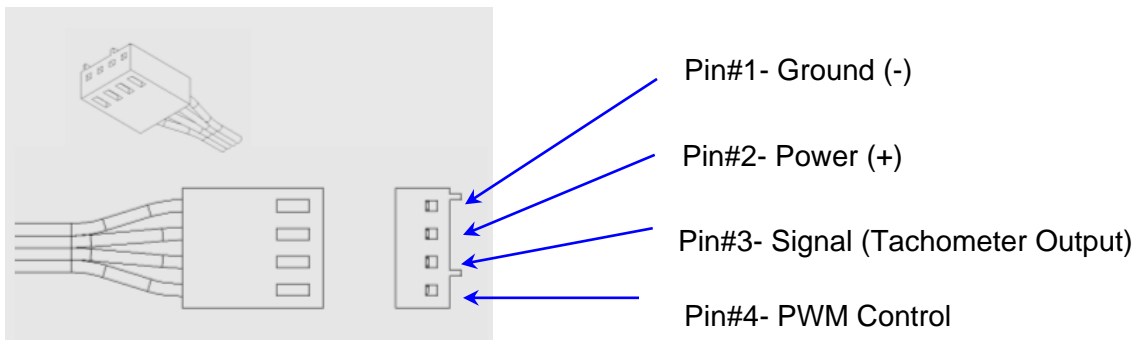
## Overall Specification :

- Dimension: 90 x 90 x 110 mm
- Weight: 600 g
- Material : Aluminum Heatsink with Heatpipe Embedded
- 8025 Axial PWM Fan for Heat Exhausting
- Convenient Heat Sink Screw captive mounting
- Thermal Grease Shin-Etsu 7762 Pre-printed
- Support CPU power up to 205 Watts heat dissipation
- Includes both Fabric and Non-Fabric Package Carriers

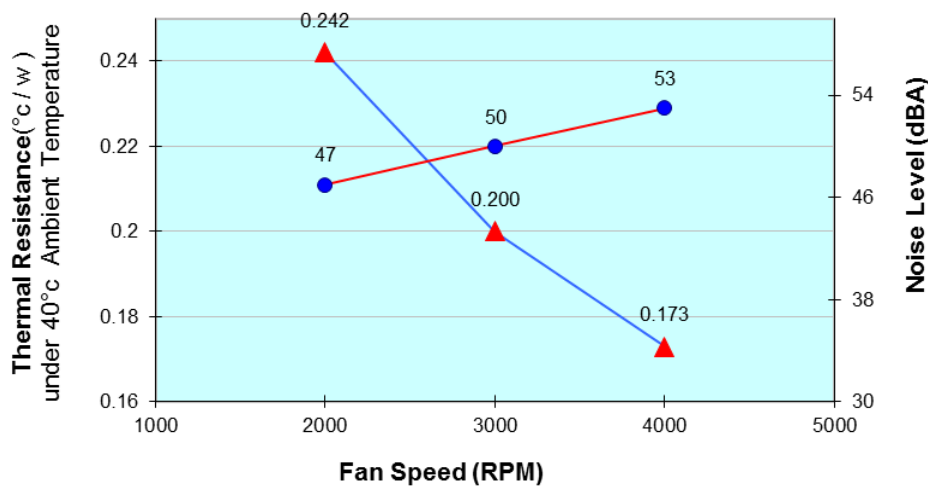
## Fan Specification:

- Model Number: DF128025BM-PWM
- Dimension: 80 x 80 x 25 mm
- Bearing: Ball Type, Double
- Rated Voltage: 12V
- Rated Speed:
  - At Duty Cycle 0~20%: 1000 ± 200 RPM
  - At Duty Cycle 50%: 2300 ± 10% RPM
  - At Duty Cycle 100%: 4000 ± 10% RPM
- Rated Input Power:
  - At Duty Cycle 0~20%: 0.96 W
  - At Duty Cycle 50%: 1.44 W
  - At Duty Cycle 100%: 4.8 W
- Rated Airflow:
  - At Duty Cycle 0~20%: 12.5 CFM
  - At Duty Cycle 50%: 28.8 CFM
  - At Duty Cycle 100%: 50.0 CFM

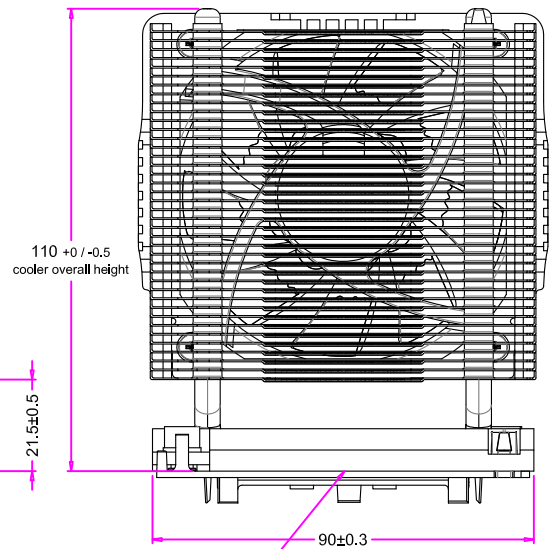
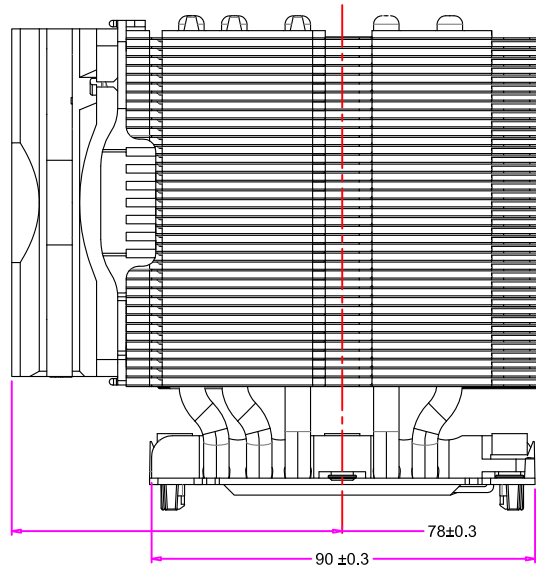
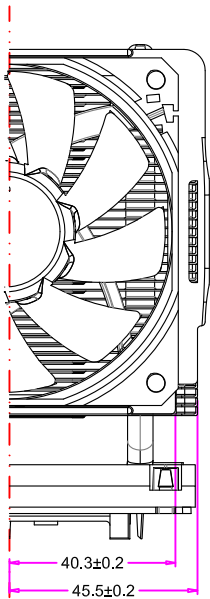
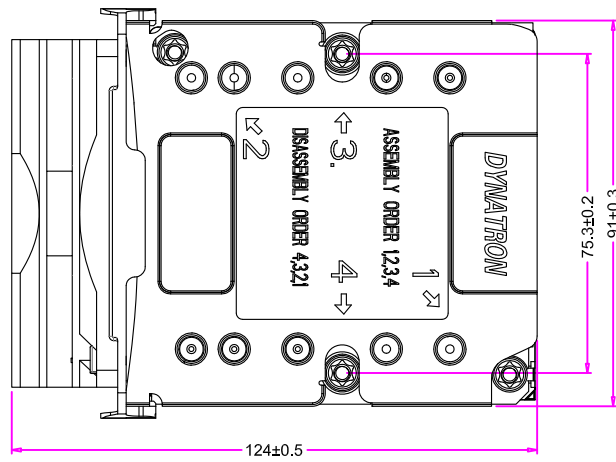
- Rated Static Pressure:
  - At Duty Cycle 0~20%: 0.5 mm-H<sub>2</sub>O
  - At Duty Cycle 50%: 2.6 mm-H<sub>2</sub>O
  - At Duty Cycle 100%: 7.8 mm-H<sub>2</sub>O
  
- Rated Acoustical Noise:
  - At Duty Cycle 0~20%: 16 dBA
  - At Duty Cycle 50%: 30.2 dBA
  - At Duty Cycle 100%: 42.2 dBA
  
- Lead Wire Pin Out:
  - Pin#1-Black(-)
  - Pin#2- Yellow(+)
  - Pin#3- Green(Tachometer/ Signal Output)
  - Pin#4- Blue (PWM)
  
- Lead Wire Pin Out Diagram :



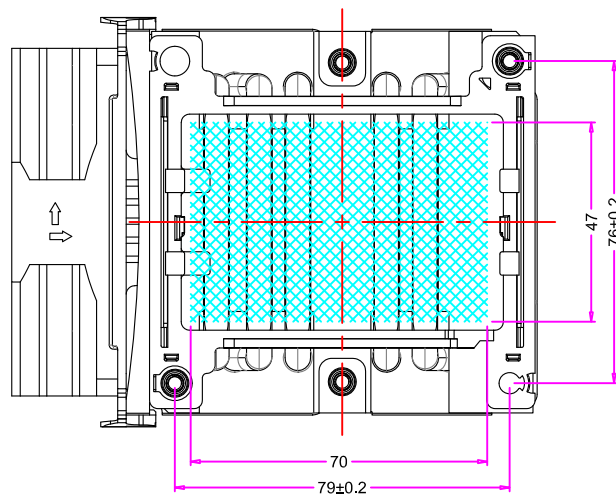
## Active Cooler B14 Thermal Performance Curve :



REV#	DESCRIPTION	CHECKER	DATE
0.0	INITIAL RELEASE	LANG	03/14/17



0.10  
Ra < 1.2  
MILL



	NAME	DATE
DRAWN BY	ENGR	03/14/2017
CHECKED BY	LANG	03/14/2017
ENG. APPROVED		
MFG. APPROVED	-	-



DYNATRON CORPORATION

TOP MOTOR

TITLE: **3U Active Cooler B14**  
Overall Dimension Drawing

**CONFIDENTIAL DOCUMENT**

THIS DRAWING CONTAINS INFORMATION PROPRIETARY TO DYNATRON CORPORATION AND DYNAEON INDUSTRIAL CO., LTD. ANY REPRODUCTION, DISCLOSURE, OR USE OF THIS DRAWING IS EXPRESSLY PROHIBITED EXCEPT AS DYNATRON CORPORATION AND DYNAEON INDUSTRIAL CO., LTD. MAY OTHERWISE AGREE TO IN WRITING.

VIEW	
UNITS	MM

DWG. No:

DYN-DM-B14

REV.  
0.0

**CONFIDENTIAL DOCUMENT**

THIS DRAWING CONTAINS INFORMATION PROPRIETARY TO DYNATRON CORPORATION AND DYNAEON INDUSTRIAL CO., LTD. ANY REPRODUCTION, DISCLOSURE, OR USE OF THIS DRAWING IS EXPRESSLY PROHIBITED EXCEPT AS DYNATRON CORPORATION AND DYNAEON INDUSTRIAL CO., LTD. MAY OTHERWISE AGREE TO IN WRITING.

**ASSEMBLY PARTS**

**WHOLE SET OF HEATSINK**

REV#	DESCRIPTION	CHECKER	DATE
0.0	INITIAL RELEASE	LANG	03/14/2017

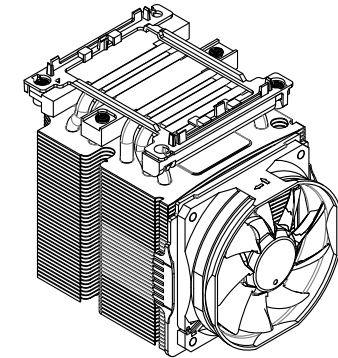
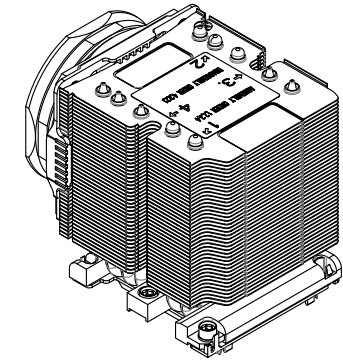
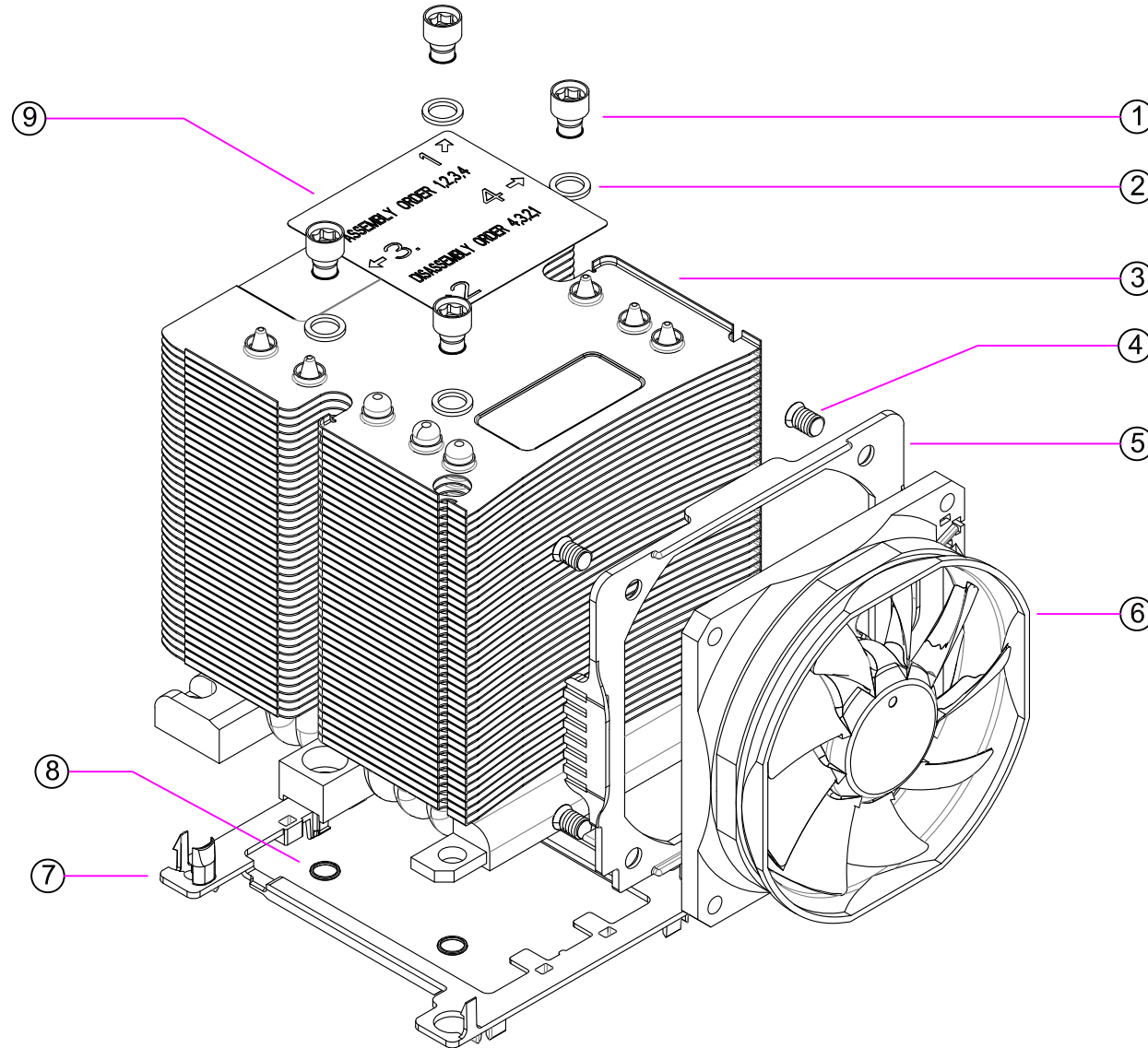
A

B

C

D

E



A

B

C

D

E

**NOTES:**

1. THE FIGURE IS FOR REFERENCE ONLY, AND NOT FOR SCALE
2. OVERALL DIMENSION : 90 x 90 x 110 mm
3. OVERALL WEIGHT : 600 g

ITEM#	DESCRIPTION	MATERIAL	QTY.
10	THERMAL GREASE, PRE-PRINTED	SHIN-ETSU 7762	1
9	INTEL MOUNTING LABEL	PLASTIC	1
8	CALLAR	NY66 A205F	4
7	INTEL PACKAGE CARRIER	PLASTIC	1
6	Fan, DF128025BH-PWM, 4000 RPM	PLASTIC	1
5	FAN BRACKET	PLASTIC	1
4	SCREW, FAN MOUNTING	STEEL	4
3	HEATSINK	HEATPIPES ALUMINUM BASE ALUMINUM STACKED FIN	1
2	WASHER	PLASTIC	4
1	HEATSINK NUT, M4	SS316 ANNEALED	4

DATE	NAME	 DYNATRON CORPORATION	TITLE: <b>3U Active Cooler B14</b> BOM & Exploded Assembly Drawing
03/14/2017	Engr		
CHECKED	LANG		
ENG. APPR.			
MFG. APPR.			
D.A.			
COMMENTS:		DWG. No:	REV
		DYN-EP-B14	0.0

1

2

3

4

5

6

7

8



## Certificate of Environment Protection

### 環保證明書

Document Number: RH-B14-R0

<b>Customer:</b> 客戶名稱:	<b>Company:</b> _____ <b>Address:</b> _____ <b>Phone Number:</b> ____ - ____ - _____
<b>Issue Date:</b>	06/02/2016
<b>Product Model Number:</b>	B14
<p> <b>Dynatron Corporation</b> hereby declares and certifies that all components manufactured are RoHS compliant according to the definitions and restrictions given by the European Union's Restriction (Directive 2002/95/EC) (Decision2011/65/EU)RoHS 2, on the restriction of the use of certain Hazardous Substances in the electrical and electronic equipment. Also, compliance to the most recent list of substances on the REACH candidate list.                 </p> <p> <b>Number of substances on the Candidate List: 168 (last updated: 17/12/2015)</b> </p> <p>                     No exemptions are claimed in order for the part to be compliant with the RoHS directive.                 </p> <p> <b>Dynatron Corporation / 政久興業股份有限公司</b>證明所有產品,零件 (包括附屬品, 包裝類) 之環境管理物質完全符合 <b>RoHS, WEEE,</b> 及該環保標準之規定, 並承諾遵 循以上之證明。                 </p> <div style="text-align: right; margin-top: 20px;"> <p> <b>Dynatron Corporation.</b>                      33200 Western Ave,                      Union City, CA 94587                      www.Dynatron-corp.com                 </p> </div> <p style="margin-top: 20px;"> <b>Title (職務):</b> _____ ASSISTANT-MANAGER _____                 </p> <p style="margin-top: 10px;"> <b>Signature (簽字):</b> _____ <i>Van Lee</i> _____                 </p> <p style="text-align: right; margin-top: 10px;">                     Date: 06 / 02 / 2016                 </p>	